



**Area of Application:** mechanical pressure measurement

**Characteristics:**

- suitable for hydraulic oil and gaseous media that do not attack any copper base alloy
- available in nominal sizes 63 and 100
- standard thread form: BSP
- housing made out of stainless steel (1.4301)
- sight glass made out of acrylic
- glycerine filled
- standard dual scales with pressure indication in bar and PSI
- U-bolt or flange mounting kit on request

**Please consult our office before you use SPG with other media.**

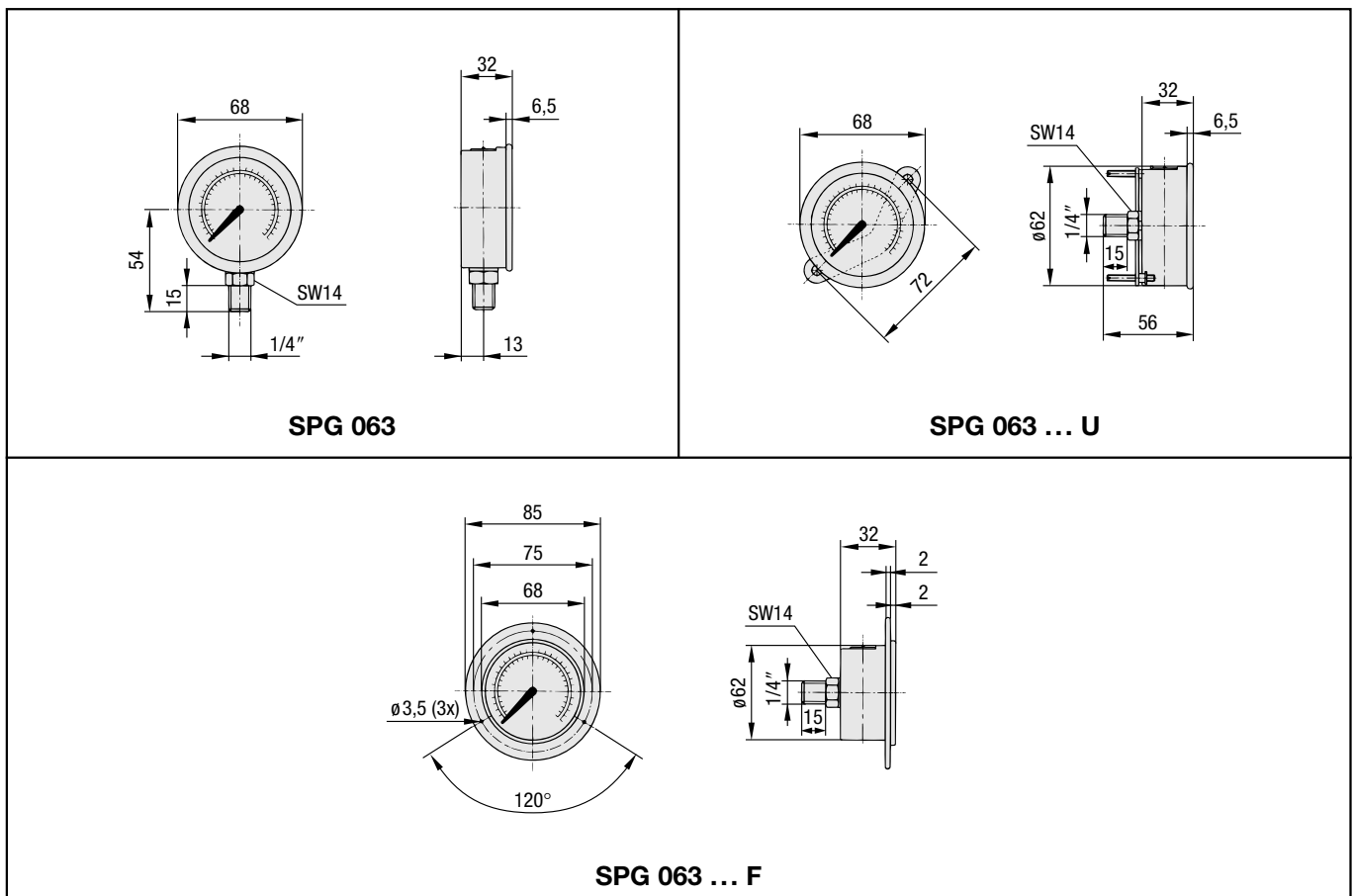
**Technical Data:**

System of protection: IP 65 (EN 60 529 / IEC 529)  
 Accuracy class SPG-063: 1.6 ( $\pm 1,6\%$  FS as per EN 837-1)  
 Accuracy class SPG-100: 1.0 ( $\pm 1,0\%$  FS as per EN 837-1)  
 environmental temp. range:  $-20^{\circ}\text{C} \dots +60^{\circ}\text{C}$   
 temperature range medium: max  $+60^{\circ}\text{C}$

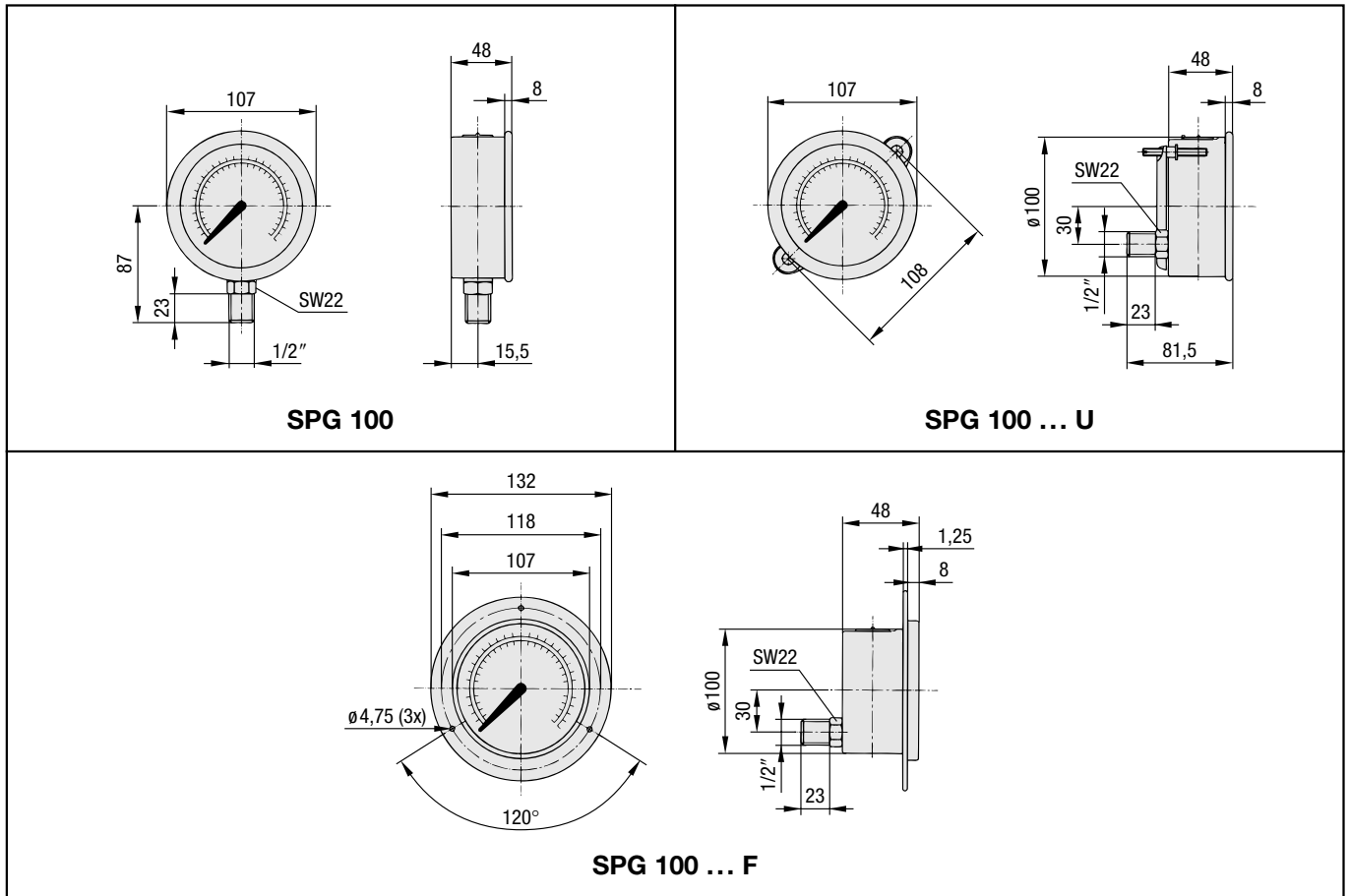
**Options (on request):**

- additional scale readings including personalisation
- thread form NPT
- U-bolt and flange mounting kits are available separately as spare parts
- additional pressure ranges up to 1.000 bar max

**Dimensions SPG 063**



## Dimensions SPG 100



## Ordering Code

**SPG 063 - 0-160 - 1 - R - B - U**

<b>Type</b>		<b>Accessories</b> (for rear entry only)	
SPG	Stainless steel pressure gauge	(none)	no accessory
<b>Size</b>		U	U-bolt assembly
063	63 mm with G <sup>1/4</sup> or 1/4 NPT connection	F	Front flange assembly
100	100 mm with G <sup>1/2</sup> or 1/2 NPT connection	<b>Thread size</b>	
<b>Pressure range</b>		B	BSP (G <sup>1/4</sup> or G <sup>1/2</sup> ) (standard)
-1 - 1,5	(-1) - 1,5 bar / 21 PSI	N	NPT (1/4 NPT or 1/2 NPT) (only on request)
-1 - 3	(-1) - 3 bar / 42 PSI	<b>Adaption</b>	
0 - 10	0 - 10 bar / 145 PSI	S	Stem mounting
0 - 16	0 - 16 bar / 230 PSI	R	Rear mounting
0 - 25	0 - 25 bar / 360 PSI	<b>Style of scales</b>	
0 - 40	0 - 40 bar / 580 PSI	1	BAR/PSI (bar outside / PSI inside)
0 - 60	0 - 60 bar / 850 PSI		
0 - 100	0 - 100 bar / 1.450 PSI		
0 - 160	0 - 160 bar / 2.300 PSI		
0 - 250	0 - 250 bar / 3.600 PSI		
0 - 400	0 - 400 bar / 5.800 PSI		
0 - 600	0 - 600 bar / 8.500 PSI		
0 - 680	0 - 680 bar / 10.000 PSI		
0 - 700	0 - 700 bar / 10.000 PSI		
0 - 1000	0 - 1000 bar / 14.500 PSI		



### Area of Application:

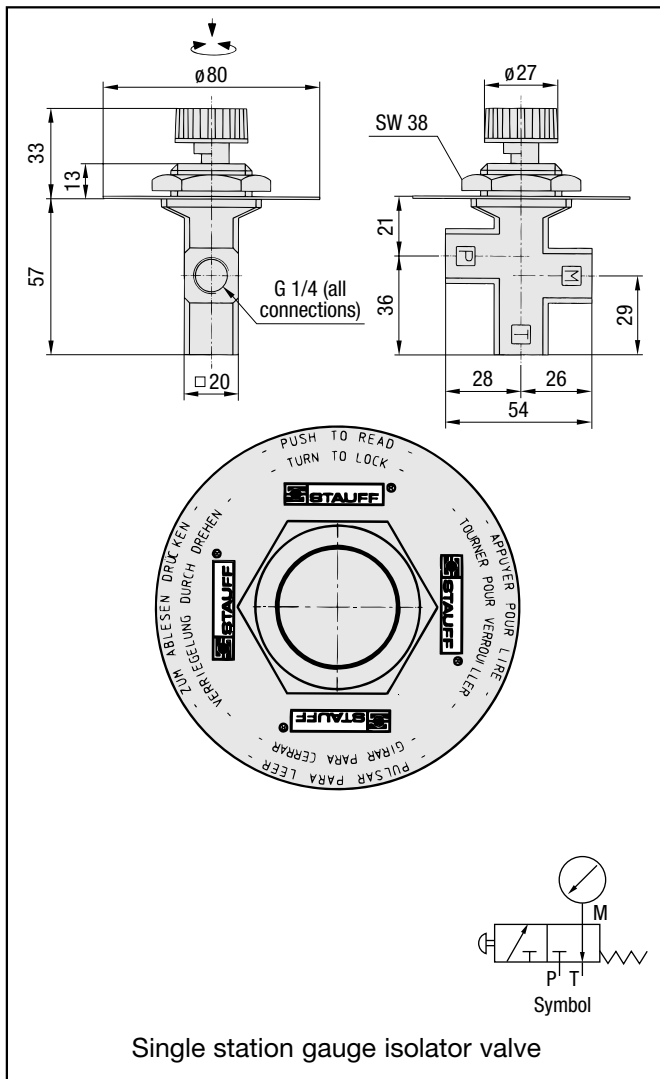
protection against pressure gauge overload (single station) or 6 position pressure measurement (multi-station)

### Characteristics:

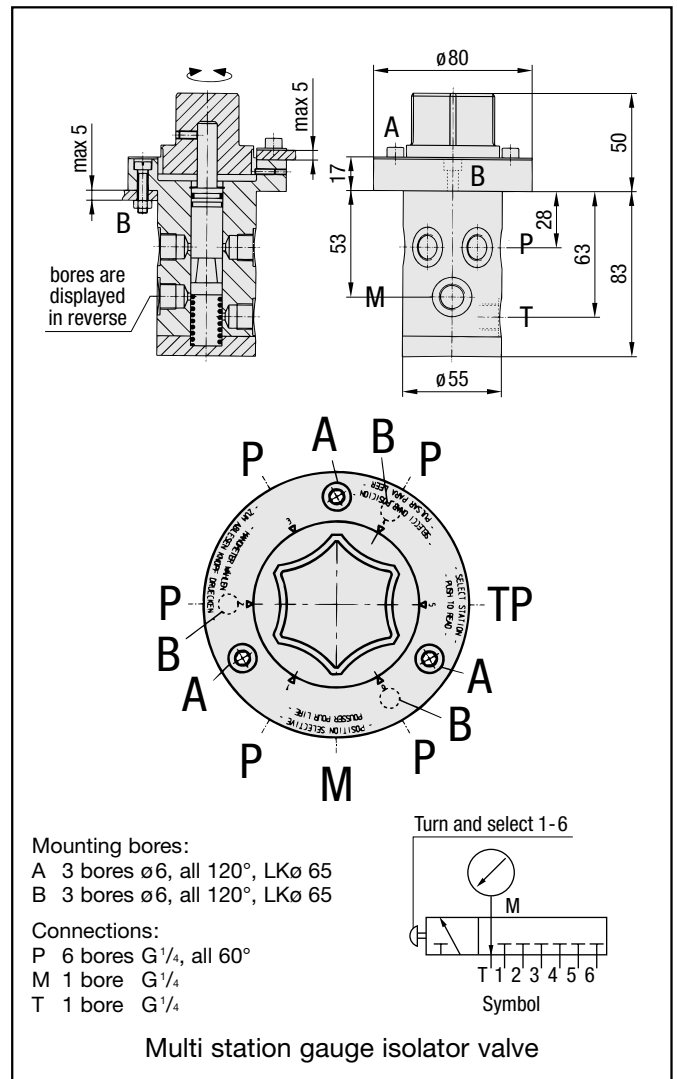
- suitable for hydraulic fluids
- max operating pressure: 350 bar
- connection thread size: G 1/4; 1/4 NPT for single station valves on request
- temperature range: 100°C max
- complete with operation manual (plate mounted to the product)

Please consult our office before you use SWS with other fluids.

### Dimensions SWS-B04-S1



### Dimensions SWS-B04-M



### Ordering Code

<b>SWS - B04 - S1</b>											
<table border="1"> <tr> <th colspan="2">Type</th> </tr> <tr> <td><b>SWS</b></td> <td>Gauge isolator valve</td> </tr> </table>	Type		<b>SWS</b>	Gauge isolator valve	<table border="1"> <tr> <th colspan="2">Style</th> </tr> <tr> <td><b>S1</b></td> <td>Single station gauge isolator valve</td> </tr> <tr> <td><b>M</b></td> <td>multi station gauge isolator valve</td> </tr> </table>	Style		<b>S1</b>	Single station gauge isolator valve	<b>M</b>	multi station gauge isolator valve
Type											
<b>SWS</b>	Gauge isolator valve										
Style											
<b>S1</b>	Single station gauge isolator valve										
<b>M</b>	multi station gauge isolator valve										
<table border="1"> <tr> <th colspan="2">Adaption thread</th> </tr> <tr> <td><b>B04</b></td> <td>G 1/4 (standard)</td> </tr> <tr> <td><b>N04</b></td> <td>1/4 NPT (for style "S1" only)</td> </tr> </table>		Adaption thread		<b>B04</b>	G 1/4 (standard)	<b>N04</b>	1/4 NPT (for style "S1" only)				
Adaption thread											
<b>B04</b>	G 1/4 (standard)										
<b>N04</b>	1/4 NPT (for style "S1" only)										