

LANTEC®

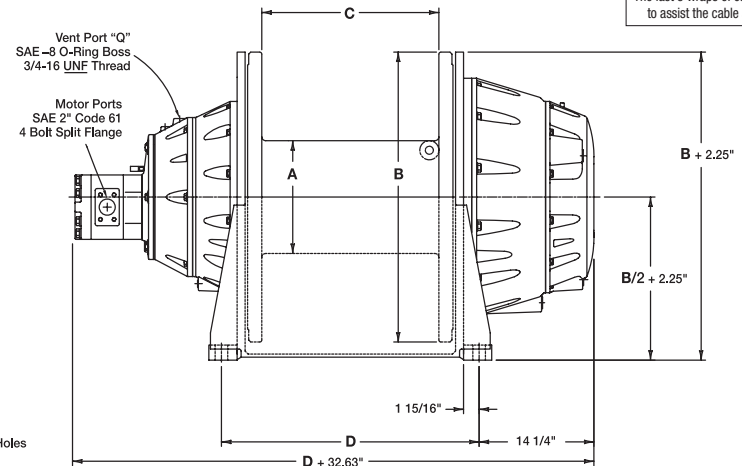
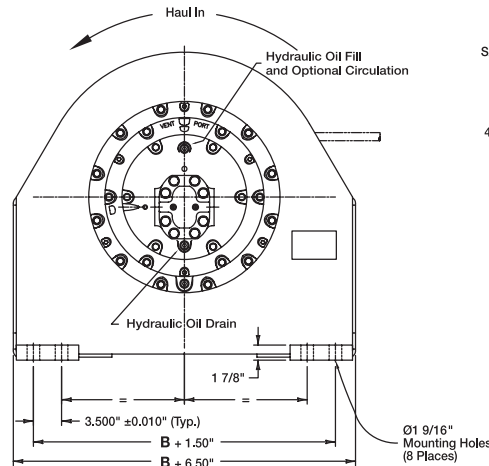


Model 750 Hydraulic Planetary Winch

Line pull of 136,000 lbs. (61,690 kg)

The LANTEC Model 750 Hydraulic Planetary Winch includes a hydraulic gear motor, spring-applied hydraulic-released multidisc brake with overrunning clutch and three planetary gear reductions. The Model 750 is a power in/power out winch with equal speed in both directions. LANTEC specializes in the custom designs, please inquire about special cable drums, hydraulic motors, handbrakes, freespool and ratchet and pawl options to meet your exact application needs.

CAUTION:
The last 5 wraps of cable must be left on the drum to assist the cable anchor in holding the load.



MODEL 750 Drum Torque 748,105 lb.in. (84,825 Nm) / Drum R.P.M. 7.81	Drum No.	Line Pull		Line Speed	
		lb.	kg	f.p.m.	m/m
111-113	Bare	136,000	61,690	22	7
	Mean	70,000	31,752	44	13
	Full	52,700	23,918	58	18
121-123	Bare	99,750	45,246	31	9
	Mean	65,000	29,484	47	14
	Full	51,600	23,405	60	18
131-133	Bare	78,750	35,720	39	12
	Mean	55,415	25,136	55	16
	Full	42,750	19,390	72	22
141-143	Bare	78,750	35,720	39	12
	Mean	48,264	21,892	63	19
	Full	36,500	16,556	84	25
151-153	Bare	59,850	27,148	51	15
	Mean	45,340	20,566	67	20
	Full	36,500	16,556	84	25
161-163	Bare	59,850	27,148	51	15
	Mean	40,440	18,344	76	23
	Full	31,835	14,440	96	29

MODEL 751 Drum Torque 561,078 lb.in. (63,394 Nm) / Drum R.P.M. 10.42	Drum No.	Line Pull		Line Speed	
		lb.	kg	f.p.m.	m/m
111-113	Bare	102,000	46,267	30	9
	Mean	52,500	23,814	58	17
	Full	39,500	17,917	77	23
121-123	Bare	74,810	33,934	41	12
	Mean	48,790	22,130	62	19
	Full	38,700	17,554	79	24
131-133	Bare	59,060	26,790	52	16
	Mean	41,560	18,852	74	22
	Full	32,060	14,542	95	29
141-143	Bare	59,060	26,790	52	16
	Mean	36,200	16,420	84	25
	Full	27,370	12,415	112	34
151-153	Bare	44,890	20,362	68	20
	Mean	34,000	15,422	90	27
	Full	27,370	12,415	112	34
161-163	Bare	44,890	20,362	68	20
	Mean	30,330	13,758	101	30
	Full	23,875	10,830	128	39

MODEL 752 Drum Torque 391,055 lb.in. (44,184 Nm) / Drum R.P.M. 14.95	Drum No.	Line Pull		Line Speed	
		lb.	kg	f.p.m.	m/m
111-113	Bare	71,100	32,250	44	13
	Mean	36,600	16,600	84	25
	Full	28,000	12,700	110	33
121-123	Bare	52,140	23,650	58	17
	Mean	34,000	15,422	90	27
	Full	26,970	12,234	114	34
131-133	Bare	41,164	18,672	74	22
	Mean	28,968	13,140	106	32
	Full	22,346	10,136	137	41
141-143	Bare	41,164	18,672	74	22
	Mean	25,230	11,444	121	36
	Full	19,075	8,652	160	48
151-153	Bare	31,285	14,190	98	30
	Mean	23,700	10,750	129	39
	Full	19,075	8,652	160	48
161-163	Bare	31,285	14,190	98	30
	Mean	21,140	9,590	145	44
	Full	16,640	7,548	184	56

Drum No.	Dimensions				Cable Capacity Full Drum - No Allowance for Free-Flange													
	A - Barrel Dia.		B - Flange Dia.		C - Length		D - Bolt Centers		7/8"		1"		1 1/8"		1 1/4"		1 3/8"	
	in	mm	in	mm	in	mm	in	mm	ft	mm	ft	mm	ft	mm	ft	mm	ft	mm
111	10	254	30	762	14	356	24.25	616.0	848	258	678	207	438	134	418	127	335	102
112	10	254	30	762	20	508	30.25	768.4	1186	261	994	303	636	194	625	190	467	142
113	10	254	30	762	30	762	40.25	1022.4	1860	576	1518	462	994	303	964	294	716	218
121	14	356	30	762	14	356	23.75	603.3	760	234	600	183	440	134	338	103	246	75
122	14	356	30	762	20	508	29.75	755.7	1082	330	874	266	641	195	505	154	355	108
123	14	356	30	762	30	762	39.75	1009.7	1700	518	1335	407	1000	305	778	237	546	166
131	18	457	36	914	14	356	23.75	603.3	1050	320	826	252	621	189	490	149	372	113
132	18	457	36	914	20	508	29.75	755.7	1470	448	1206	367	904	275	735	224	536	163
133	18	457	36	914	30	762	39.75	1009.7	2308	703	1842	561	1412	430	1124	342	824	251
141	18	457	42	1067	20	508	30.25	768.4	2100	640	1788	545	1224	375	1033	315	790	240
142	18	457	42	1067	30	762	40.25	1022.4	3300	1004	2730	832	1914	583	1580	482	1214	370
143	18	457	42	1067	40	1016	50.25	1276.4	4400	1340	3674	1120	2600	792	2135	650	1698	518
151	24	610	42	1067	20	508	29.75	755.7	1800	548	1476	450	1105	337	900	274	658	200
152	24	610	42	1067	30	762	39.75	1009.7	2826	861	2250	686	1728	527	1380	420	842	256
153	24	610	42	1067	40	1016	49.75	1263.7	3770	1150	3030	924	2352	717	1860	566	1425	434
161	24	610	48	1219	20	508	30.25	768.4	2526	770	2148	655	1475	450	1245	380	952	290
162	24	610	48	1219	30	762	40.25	1022.4	3970	1210	3275	998	2306	703	1908	580	1466	447
163	24	610	48	1219	40	1016	50.25	1276.4	5300	1614	4410	1344	3140	957	2575	785	2060	628

Performance based on a hydraulic volume of 90 gpm [340 l/min] at 2800 psi [193 bar] [2500 psi [172 bar] running]

Other drum sizes available. For optimum performance in your operating conditions, please consult with the TWG/LANTEC Engineering Staff for accurate evaluation of all options and specifications.

Contact a TWG sales representative about other available configurations. As a leader in product innovation, TWG is committed to the ongoing improvement of its equipment. TWG reserves the right to make changes to our products without notice.

LANTEC® is a registered brand of TWG, a global leader in standard and engineered winch, gear-box and electronic monitoring systems.

LANTEC®
5827 Production Way
Langley, BC, Canada V3A 4N5
Phone: 604-530-0737
Fax: 604-530-2889

TWG
PO Box 1130
Jenks OK 74037-1130 USA
Phone: 918-298-8300
www.team-twg.com

