



AC Motor



DC Motor

R1 SERIES

MODELS R1102, R1102C, R1102K, R1S103, R1302

MAX. PRESSURE – 28.5"H₂O (60 Hz), 21"H₂O (50 Hz)

MAX. VACUUM – 26.5"H₂O (60 Hz), 20"H₂O (50 Hz)

MAX. AIR FLOW – 27 CFM (60 Hz), 23 CFM (50 Hz)

PRODUCT FEATURES

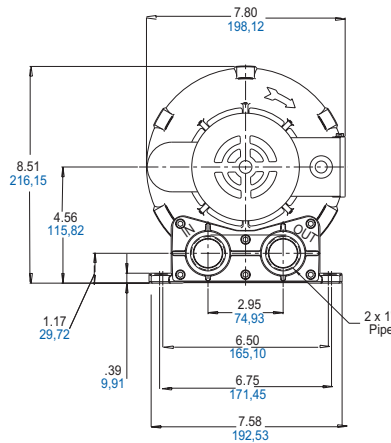
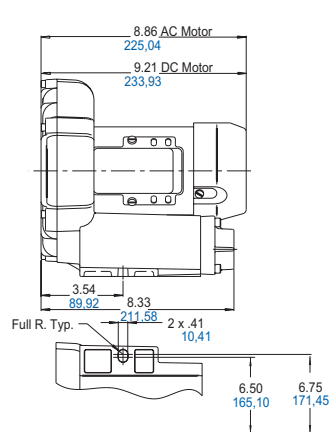
- Rugged construction, low maintenance
- Oilless operation
- UL and CSA approved TEFC motors with permanently sealed ball bearings
- Automatic restart thermal protection on single phase AC motors
- Estimated 3,000 hour brush life on 12 volt DC motor
- Can be operated with no air flow through unit.
- Aluminum blower housing, impeller and cover
- Can be mounted in any plane
- Inlet and outlet have internal muffling

RECOMMENDED ACCESSORIES

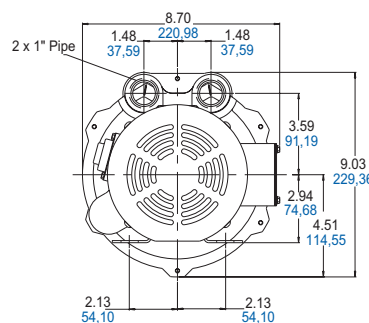
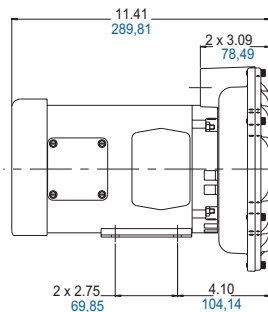
- Pressure gauge AJ496
- Inlet Filter AJ126B (pressure)
- Vacuum gauge AJ497
- Inline filter AJ151A (vacuum)
- Muffler AJ121B

Product Dimensions (in. mm)

MODELS R1102,
R1102C, R1102K,



MODEL R1S103
(Top Porting)





Product Specifications

MODEL NUMBER		R1102	R1102C	R1102K	R1S103	R1302
Motor Enclosure		TEFC	TEFC	TEFC	TEFC	TEFC
HP/kW	60 Hz	.125/0,09	.125/0,09	.125/0,09	.33/0,25	.125/0,09
	50 Hz	.10/0,07	-	-	.20/0,15	.10/0,07
Voltage	60 Hz	115/208-230-1	115-1	12V DC	115/208-230-1	208-230/460-3
	50 Hz	110/220-240-1	-	-	110/220-240-1	190-220/380-415-3
Amps	60 Hz	2.0/1.1-1.0	1.8	19 @ 12V DC	4/2.2-2	1.0-1.1/1.5
	50 Hz	2.0/1.1-1.0	-	-	3.5/1.8-2	1.0-1.1/1.5-6
Starting Amps	60 Hz	8.5 @ 115V	9.7	145 @ 12V DC	19 @ 115V	3.7 @ 230
	50 Hz	8.6 @ 220V	-	-	9.3 @ 220V	3.6 @ 220
Insulation Class		B	B	H	B	B
Recommended NEMA Starter Size		00/00	00	-	00/00	00/00
Net Weight (lbs/kg)		16/7,3	16/7,3	16/7,3	21/9,5	16/7,3

Product Performance

