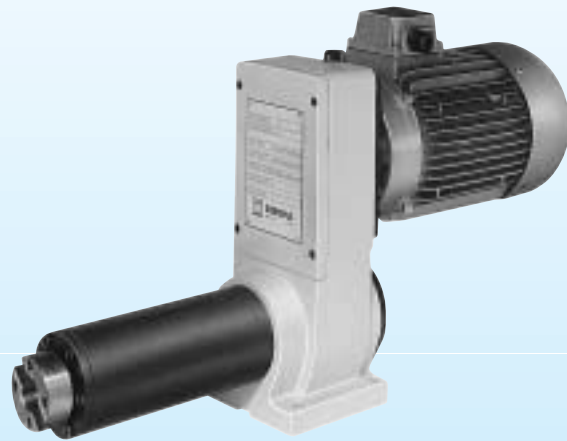


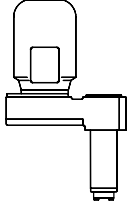
Spindle head F.25 has an ISO 30 tool holder. It can be fitted to the slide unit by means of collar E.FE100.

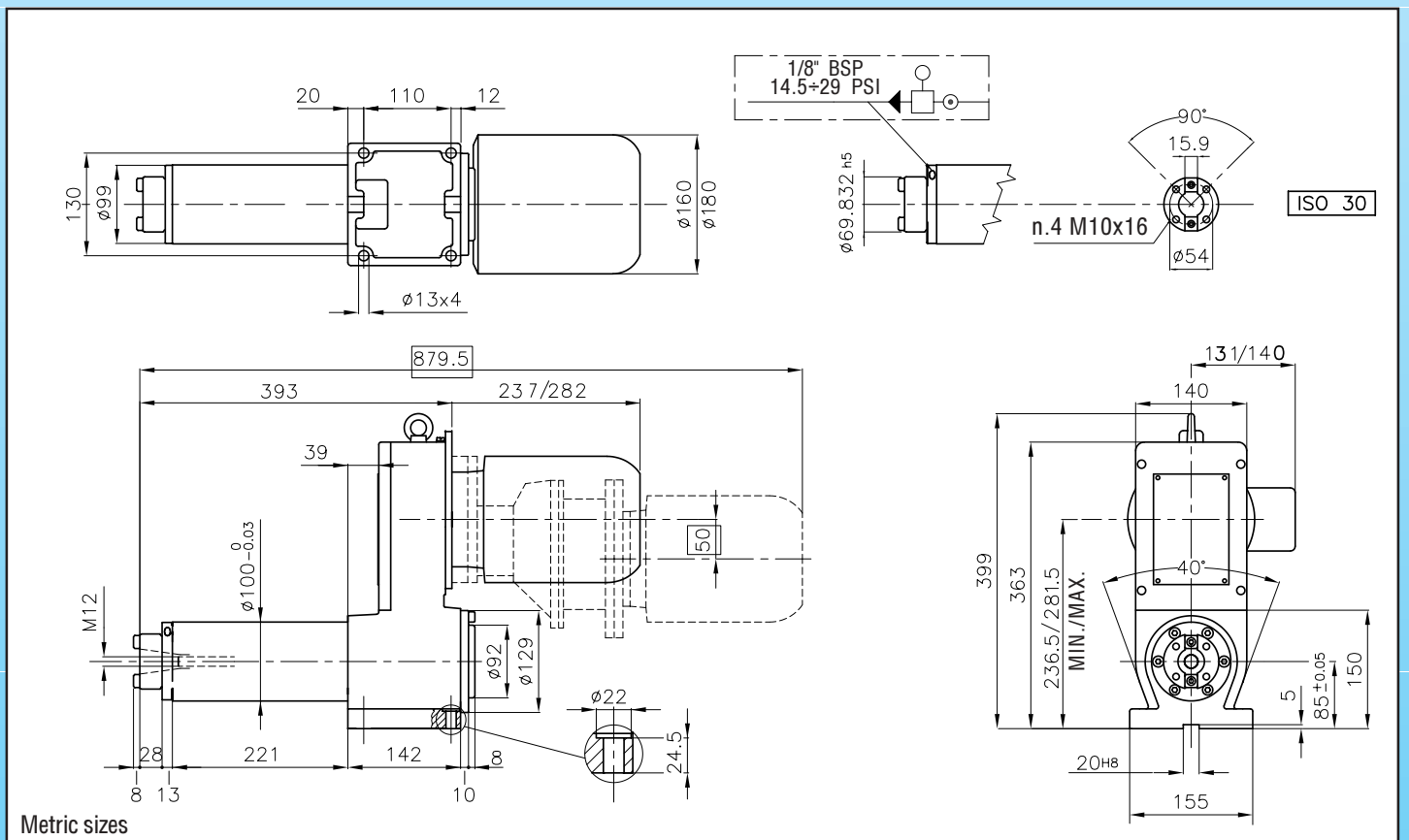
On **drilling and milling** (axial or radial) applications, model **F.25.RC** is to be used as it is fitted with adjustable taper roller bearings.

On **boring** applications, model **F.25.CO** is to be used as it is fitted with a pack of three pre-loaded precision angular contact bearings.



SPINDLE HEADS		SPEED	
TYPE	CODE	50 Hz	60 Hz
F.25.A.RC	10108436	■ 450	540
		750	900
		1150	1380
		1300	1560
		1500	1800
F.25.2150.RC	10108430	● 2150	2580
		2800	3360
F.25.2800.RC	10108435	● 2150	2580
		2800	3360
F.R25.B.RC	10108400	▲ 90	110
		150	180
		230	275
		270	325
		310	370
F.25.2150.CO	10108448	● 2150	2580
		2800	3360
F.25.2800.CO	10108450	● 2800	3360
		3400	4080
F.25.3400.CO	10108452	● 3400	4080
F.25.4200.CO	10108455	● 4200	5040

TECHNICAL FEATURES										
	DRILLING CAPACITY mm (inch)		MAX. AXIAL THRUST N (lbs)		MOTOR (IP 55 protection)			WEIGHT Kg (lbs)	STANDARD COLOUR RAL	MAX RUNOUT mm (inch) T.I.R.
	MILD STEEL	R=60	ALLUMINIUM BRASS	R=40 R=50	TAPER ROLLER	ANGULAR CONTACT	KW 1.1 2P - FRAME 80			
F.25	28 (1.10")	34 (1.34")	8000 (1764)	2000 (441)	●	■	▲	30 (66)	7035	0.01 (.0004")



## ACCESSORIES

MACHINING UNIT WITHOUT MOTOR		TYPE	CODE
		F.25.RC max speed 3000 R.P.M.	10108462
		F.25.CO max speed 5000 R.P.M.	10108464

Metric sizes

MOTOR WITH INTEGRATED INVERTER	TYPE	CODE
motor + inverter + EMI filter + servovent. 	<b>MII90L4</b> <b>B14</b> 4 poles 3 phase 380/440 V 50-60 Hz 1,5 Kw (A)nom. 4,2 (A)max 10,5 IP 55	<b>Motore standard</b> <b>43053005</b>
<b>Metric sizes</b> <b>OPTIONAL</b> <b>A</b> - wired - ON/OFF, clockwise / conter clockwise rotation	<b>Optional A</b> <b>28012005</b>	<b>Optional B</b> <b>28012006</b>
<b>B</b> - universal remote key pad control, diagnostics		

COLLAR	TYPE	CODE
	E.FE100	10410197
<b>Metric sizes</b> IF COLLAR IS USED UNIT SHOULD BE ORDERED WITHOUT FEET		

FLANGE FOR MULTI-SPINDLE HEAD	NOTE
	Supplied with head
<b>Metric sizes</b>	

SPINDLE ROTATION CONTROL	NOTE
	Please consult engineering office
<b>Metric sizes</b>	

COOLANT THRU SPINDLE	TYPE	CODE
	—	28010091
<b>Metric sizes</b>		

FROM ISO 30 DIN 2080 TO TR 16 DIN 55058	TYPE	CODE
	—	10961002
<b>Metric sizes</b>		

UNIT WITHOUT FEET	TYPE	CODE
	—	M9910022
<b>Metric sizes</b>		

FROM ISO 30 DIN 2080 TO ER 32	TYPE	CODE
	A	10961003
	B	445301..
	C	44550116
<b>Metric sizes</b>		