

S.SV.201

S.SV.301

S.CV.201

S.CV.301

BALL SCREW SLIDE

Ball screw slide units S.SV - S.CV are designed to carry spindle heads models "F.25 (with collar) - F.32 - F.40".

S.SV = cast iron base with precision rails and 4 ball rows pads and screw 25 mm dia x5 mm pitch (.98" dia x .20" pitch).

S.CV = cast iron base with precision rails and 4 ball rows pads and screw 32 mm dia x5 mm pitch (1.26" dia x .20" pitch).

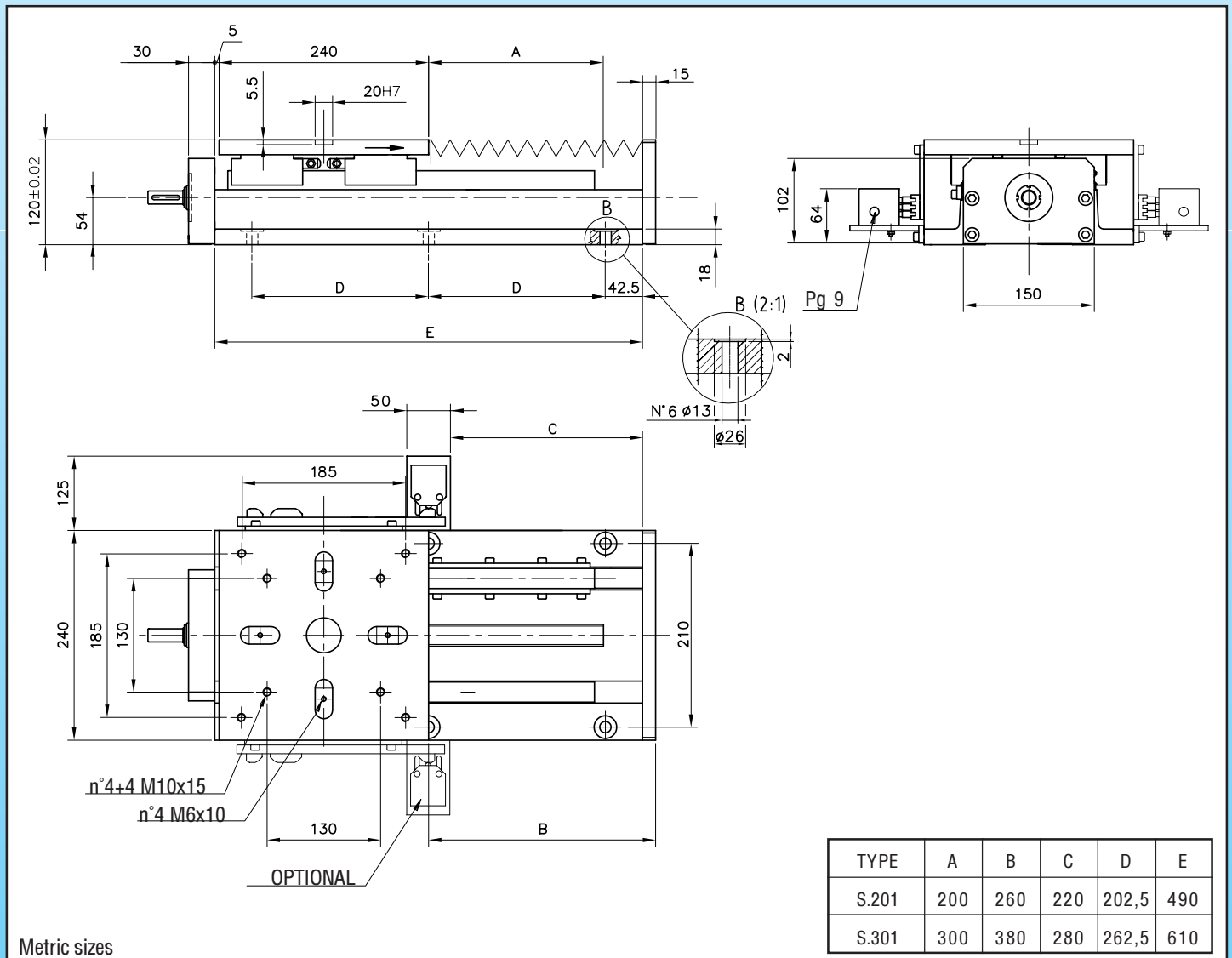
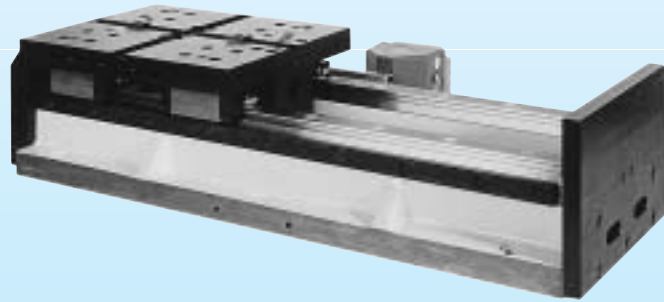
Re-circulating ball pads enable linear speeds approximately 15 times (150 m/min- 492 FT/min) that of the one obtained on cast iron ways, with very long intervals lubrication.

Thrust is supplied by a precision rolled ball screw moving inside a no backlash pre-loaded nut assembly fitted to the carrier.

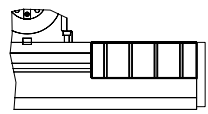
The slide comes complete with a sealed micro-switch pack and relative cams, normally fitted to the right hand side.

S.SV - S.CV slides are supplied with input spindle and motor plate according to our standard or, on request, to customer's specification.

Slide units with 6 ball rows pads are supplied on request.

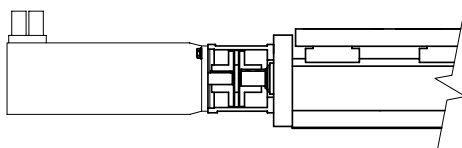


SLIDE UNITS		STROKE
TYPE	CODE	mm (inch)
S.SV.201	10320053	200 (7.87")
S.SV.301	10320063	300 (11.81")
S.CV.201	10320055	200 (7.87")
S.CV.301	10320065	300 (11.81")

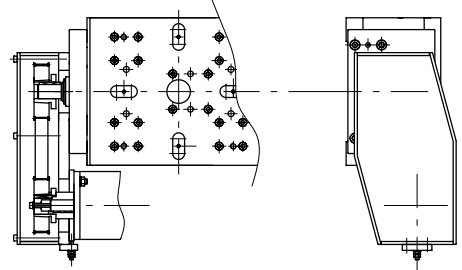
ACCESSORIES		
SLIDWAY COVER	STROKE	CODE
	200 mm (7.87")	28050040
	300 mm (11.81")	28050042

DRIVE MOTOR (NOT SUPPLIED)

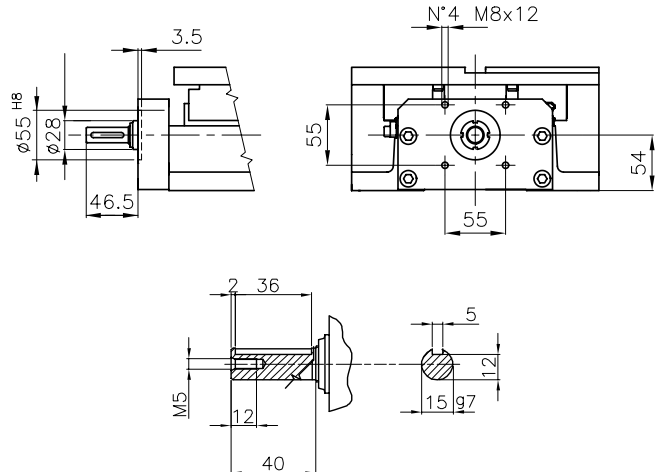
DIRECT DRIVE (SERVOMOTOR WITH CO-AXIAL ENCODER)



OFF-SET DRIVE (SERVOMOTOR WITH TOOTHED BELT DRIVE)



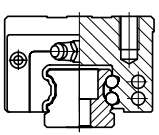
STANDARD MOTOR MOUNTING DIMENSION



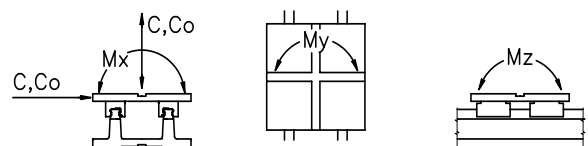
P.S. If special shank is requested, please advise features

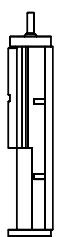
Metric sizes

GUIDE PADS ARRANGEMENT (4 BALL ROWS)



MAXIMUM STRESSES



	TECHNICAL FEATURES										
	mm (inch)	SCREW	MAX. AXIAL THRUST ON THE SCREW N (lbs)	MAX. TORQUE ON THE SCREW Nm (ft.lb)	WEIGHT KG (lbs)	STANDARD COLOUR RAL	LOAD CAPACITY		STATIC MOMENT		
							C dynamic	Co static	Mx Nm (ft.lb)	My Nm (ft.lb)	Mz Nm (ft.lb)
S.SV.201	25 dia x 5 (.98" dia x .20")	200 (7.87")	9700 (2139)	8 (5.9)	43 (95)	7035	60 (13230)	80 (17640)	1800 (1327)	1800 (1327)	1800 (1327)
S.SV.301		300 (11.81")			50 (110)	7035					
S.CV.201	32 dia x 5 (1.26" dia x .20")	200 (7.87")	12500 (2756)	11 (8.11)	43 (95)	7035	70 (15435)	100 (22050)	2200 (1622)	2300 (1696)	2300 (1696)
S.CV.301		300 (11.81")			50 (110)	7035					