

HFC SERIES



Actual size

HFC35 Series polysulfone couplings are able to withstand demanding applications and feature physical strength, chemical resistance and autoclavability.

HFC57 Series polysulfone couplings are UV resistant and able to withstand continued exposure to harmful UV rays without affecting performance.

Both can operate in harsh environments in temperatures from -40°F to 280°F (-40°C to 138°C) and pressures from vacuum to 125 psi (8.6 bar). An ergonomic design and a large, shrouded thumb latch pad produce a coupling that is easy to grip and simple to operate. An efficient valve design leads to high flow and exceptionally low spillage. Both series also add bulkhead panel mount, garden hose thread and Hastelloy® C spring options.

Features

- Polysulfone (HFC35)
- UV Polysulfone (HFC57)
- High efficiency valve
- Ergonomic design
- Compatible

Benefits

- Physically strong and autoclavable
- Physically strong and UV resistant
- More flow and less spillage in a compact size
- Easy to grip, simple to operate
- Mates with HFC12 couplings

Specifications

Pressure:

Vacuum to 125 psi, 8.6 bar

Temperature:

-40°F to 280°F (-40°C to 138°C)

Materials:

Main components and valves:

HFC35 - Polysulfone

HFC57 - UV-resistant polysulfone

Thumb latch:

HFC35 - Polysulfone

HFC57 - UV-resistant polysulfone

Valve spring: 316 stainless steel

External springs: 316 stainless steel

O-rings: EPDM

Panel mount gasket: EPDM

Female GHT gasket: FDA EPDM

Colors:

HCF35 - Natural white, dark gray latch

HCF57 - Black, black latch

Tubing Sizes:

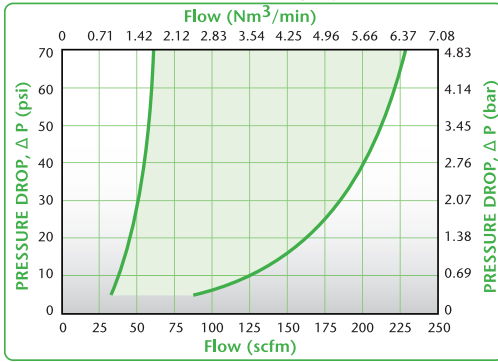
3/8" to 3/4" ID, 9.5mm to 19.0mm ID

WARNING: Pressure, temperature, chemicals, and operating environment can affect the performance of couplings. It is the customer's responsibility to test the suitability of Colder products in their own application conditions. Use the graphs on the following page as a guide.

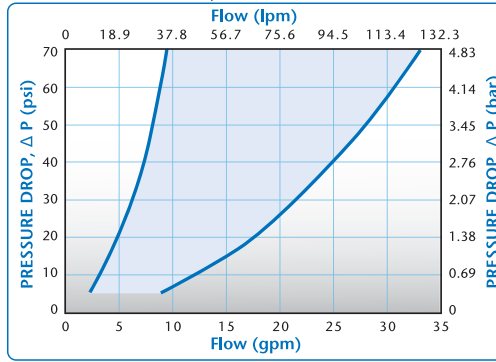
Also available in NSF listed versions, please visit our web site for part number information



HFC35/57 Air Flow, 100 psig Inlet Pressure

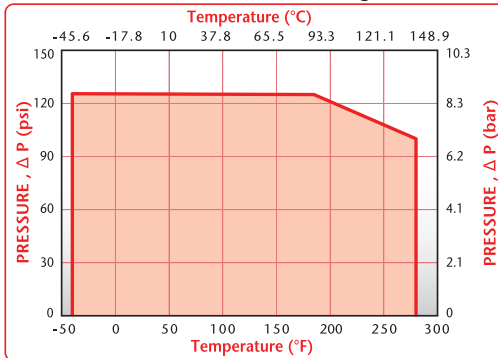


HFC35/57 Water Flow



These graphs are intended to give you a general idea of the performance capabilities of each product line. The shaded area of each graph represents the operating range of the product family, i.e., upper and lower values are shown. Therefore, depending on the exact coupling configurations selected, you can reasonably expect values to fall within the shaded area.

HFC35/57 Pressure Range



Don't forget: you can always visit www.colder.com for more product information.



DID YOU KNOW ...

When specifying products with pipe thread terminations, don't forget to consult Colder's white paper on NPT pipe threads.

Visit the TECHNICAL section of www.colder.com.



DID YOU KNOW ...

the HFC57 Series polysulfone couplings are UV-resistant and able to withstand continued exposure to harmful rays without affecting performance?

These couplings offer all the same features as our HFC12 and HFC35 Series with the added advantage of UV-resistance to protect the strength and durability of your fluid connections. Use the HFC57 couplings in outdoor applications such as watercraft, lawn irrigation systems and solar heating on roofs and decks where a connector is subjected to the harsh rays of the sun.

HFC35 Coupling Bodies

POLYSULFONE

	TERMINATION IN-LINE PIPE THREAD	THREAD SIZE 3/8" NPT 3/8" BSPT 1/2" NPT 1/2" BSPT 3/4" NPT 3/4" BSPT 3/4" GHT		STRAIGHT THRU HFC10635 HFC10635BSPT HFC10835 HFC10835BSPT HFC101235 HFC101235BSPT HFC101235GHT	SHUTOFF HFCD10635 HFCD10635BSPT HFCD10835 HFCD10835BSPT HFCD101235 HFCD101235BSPT HFCD101235GHT	A 1.44 1.44 1.44 1.44 1.44 1.44 1.44	B 2.73 2.73 2.88 2.88 3.12 3.12 2.94	
	TERMINATION IN-LINE PIPE THREAD	THREAD SIZE 3/4" GHT 3/4" BSPP		STRAIGHT THRU HFC191235GHT HFC191235BSPP	SHUTOFF HFCD191235GHT HFCD191235BSPP	A 1.44 1.44	B 2.70 2.70	
		TERMINATION BULKHEAD PANEL MOUNT HOSE BARB	TUBING SIZE 3/8" ID 1/2" ID 5/8" ID 3/4" ID	METRIC EQ. 9.5mm ID 12.7mm ID 15.9mm ID 19.0mm ID	STRAIGHT THRU HFC16635 HFC16835 HFC161035 HFC161235	SHUTOFF HFCD16635 HFCD16835 HFCD161035 HFCD161235	A 1.44 1.44 1.44 1.44	B 2.82 2.82 2.94 2.94
		TERMINATION IN-LINE HOSE BARB	TUBING SIZE 3/8" ID 1/2" ID 5/8" ID 3/4" ID	METRIC EQ. 9.5mm ID 12.7mm ID 15.9mm ID 19.0mm ID	STRAIGHT THRU HFC17635 HFC17835 HFC171035 HFC171235	SHUTOFF HFCD17635 HFCD17835 HFCD171035 HFCD171235	A 1.44 1.44 1.44 1.44	B 2.82 2.82 2.94 2.94

Accessories

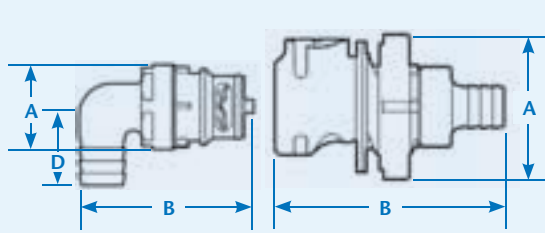
	PANEL MOUNT GASKET REPLACEMENT	For sealing panel mount bodies listed above	MATERIAL EPDM	PART NO. 621200
	GHT GASKET REPLACEMENT	For sealing female threads	MATERIAL FDA EPDM	PART NO. 2339400

HFC35 Coupling Inserts

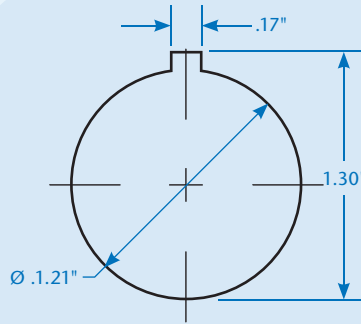
POLYSULFONE

	TERMINATION IN-LINE PIPE THREAD	THREAD SIZE 3/8" NPT 3/8" BSPT 1/2" NPT 1/2" BSPT 3/4" NPT 3/4" BSPT 3/4" GHT		STRAIGHT THRU HFC24635 HFC24635BSPT HFC24835 HFC24835BSPT HFC241235 HFC241235BSPT HFC241235GHT	SHUTOFF HFCD24635 HFCD24635BSPT HFCD24835 HFCD24835BSPT HFCD241235 HFCD241235BSPT HFCD241235GHT	A 1.16 1.16 1.16 1.16 1.23 1.23 1.23	B 1.82/1.94 1.97/2.09 1.97/2.09 1.17/2.09 2.22/2.34 2.21/2.33 2.03/2.15		
	TERMINATION IN-LINE PIPE THREAD	THREAD SIZE 3/4" GHT 3/4" BSPP		STRAIGHT THRU HFC261235GHT HFC261235BSPP	SHUTOFF HFCD261235GHT HFCD261235BSPP	A 1.37 1.37	B 1.79/1.91 1.79/1.91		
		TERMINATION IN-LINE HOSE BARB	TUBING SIZE 3/8" ID 1/2" ID 5/8" ID 3/4" ID	METRIC EQ. 9.5mm ID 12.7mm ID 15.9mm ID 19.0mm ID	STRAIGHT THRU HFC22635 HFC22835 HFC221035 HFC221235	SHUTOFF HFCD22635 HFCD22835 HFCD221035 HFCD221235	A 1.00 1.00 1.00 1.00	B 1.91/2.03 1.91/2.03 2.03/2.15 2.03/2.15	
		TERMINATION ELBOW HOSE BARB	TUBING SIZE 3/8" ID 1/2" ID	METRIC EQ. 9.5mm ID 12.7mm ID	STRAIGHT THRU HFC23635 HFC23835	SHUTOFF HFCD23635 HFCD23835	A 1.00 1.00	B 1.92/2.04 1.96/2.08	D .93 .93

All measurements are in inches (millimeters) unless otherwise noted. Tubing must meet stated inside and outside diameters.



A = Height/Diameter
 B = Total Length (including valve)
 D = Elbow Radial Length



Product Dimensions

Gasket Thickness: .06"
 Mounting Hole: 1.21" diameter
 Coupling Spacing: 1.62" minimum

COUPLING BODIES	PANEL OPENING	MAX. PANEL THICKNESS	MIN. PANEL THICKNESS
	see drawing	.25	.03

HFC57 Coupling Bodies UV POLYSULFONE

TERMINATION	THREAD SIZE	STRAIGHT THRU	SHUTOFF	A	B
IN-LINE PIPE THREAD	3/8" BSPT	HFC10657BSPT	HFCD10657BSPT	1.44	2.73
	1/2" NPT	HFC10857	HFCD10857	1.44	2.88
	1/2" BSPT	HFC10857BSPT	HFCD10857BSPT	1.44	2.88
	3/4" BSPT	HFC101257BSPT	HFCD101257BSPT	1.44	3.12
	3/4" GHT	HFC101257GHT	HFCD101257GHT	1.44	2.94
IN-LINE PIPE THREAD	3/4" GHT	HFC191257GHT	HFCD191257GHT	1.44	2.70
	3/4" BSPP	HFC191257BSPP	HFCD191257BSPP	1.44	2.70
BULKHEAD PANEL MOUNT HOSE BARB	3/8" ID	9.5mm ID	SHUTOFF	A	B
	1/2" ID	12.7mm ID	HFCD16657	1.82	2.82
	5/8" ID	15.9mm ID	HFCD16857	1.82	2.82
	3/4" ID	19.0mm ID	HFCD161057	1.82	2.94
IN-LINE HOSE BARB	3/8" ID	9.5mm ID	SHUTOFF	A	B
	1/2" ID	12.7mm ID	HFC17657	1.44	2.82
	5/8" ID	15.9mm ID	HFC17857	1.44	2.82
	3/4" ID	19.0mm ID	HFC171057	1.44	2.94

Accessories

PANEL MOUNT GASKET REPLACEMENT	For sealing panel mount bodies listed above	MATERIAL EPDM	PART NO. 621200
GHT GASKET REPLACEMENT	For sealing female threads	MATERIAL FDA EPDM	PART NO. 2339400

HFC57 Coupling Inserts UV POLYSULFONE

TERMINATION	THREAD SIZE	STRAIGHT THRU	SHUTOFF	A	B
IN-LINE PIPE THREAD	3/8" BSPT	HFC24657BSPT	HFCD24657BSPT	1.16	1.84/1.96
	1/2" BSPT	HFC24857BSPT	HFCD24857BSPT	1.16	1.99/2.07
	1/2" NPT	HFC24857	HFCD24857	1.16	1.95/2.11
	3/4" BSPT	HFC241257BSPT	HFCD241257BSPT	1.23	2.19/2.31
	3/4" GHT	HFC241257GHT	HFCD241257GHT	1.16	2.15/2.27
IN-LINE PIPE THREAD	3/4" GHT	HFC261257GHT	HFCD261257GHT	1.37	1.79/1.91
	3/4" BSPP	HFC261257BSPP	HFCD261257BSPP	1.37	1.79/1.91
IN-LINE HOSE BARB	3/8" ID	9.5mm ID	SHUTOFF	A	B
	1/2" ID	12.7mm ID	HFC22657	1.00	1.91/2.03
	5/8" ID	15.9mm ID	HFC22857	1.00	1.91/2.03
	3/4" ID	19.0mm ID	HFC221057	1.00	2.03/2.15

All measurements are in inches (millimeters) unless otherwise noted. Tubing must meet stated inside and outside diameters. Couplings are pictured with valves unless otherwise noted.