

*All Carlson Tool Stands
are Available with the
DownASSIST Option Kit*

*DownASSIST enhancement
applies adjustable downward
force of 1 -60 lbs. on demand.
The operator can let go of the
lever at anytime and the screw-
driver will gently retract to
the home position.*

About the NLL Stand

The Carlson NLL Tool Stand offers wide operating areas and two 5 lb spring balancers that hold the tool up and prevent it from dropping. Our stands hold power tools vertically providing assistance in keeping the proper bit/ fastener head engagement- preventing screw head damage in most applications. All units are equipped with lightweight arms making them easy to move and operate. With no reaction torque being transmitted back to the operator's wrist and reduced vibration, they provide the ideal ergonomic solution to tool mounting problems.

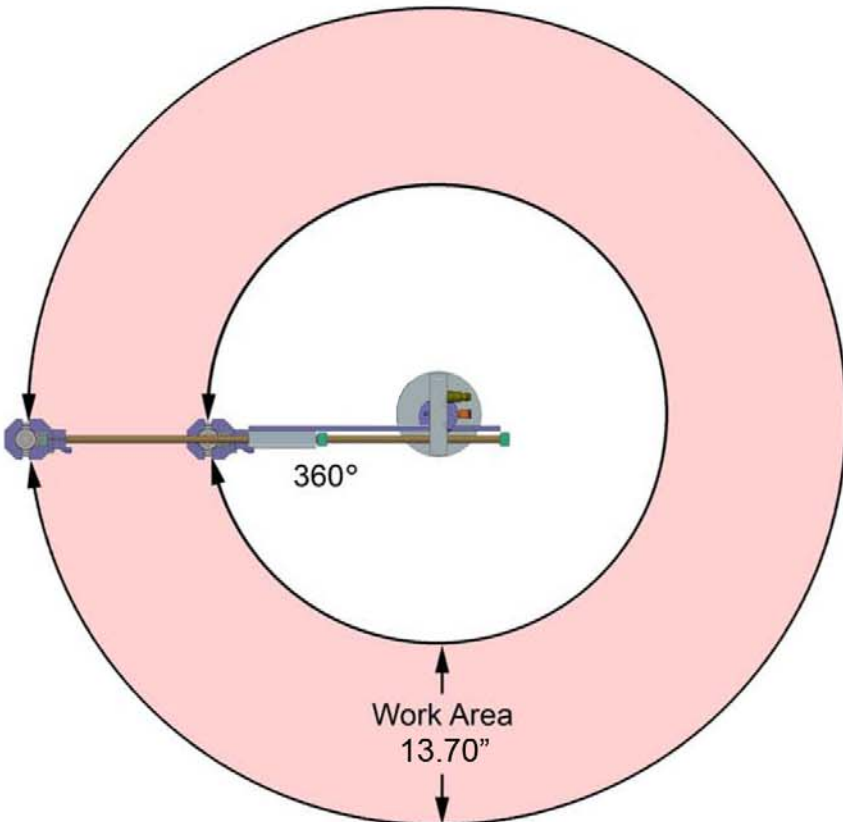
- ! **Upto 36" of Lineal Reach**
- ! **Smooth & Safe**
- ! **Low Inertia**
- ! **Lightweight & Easy to Maneuver**
- ! **True Vertical Movement**



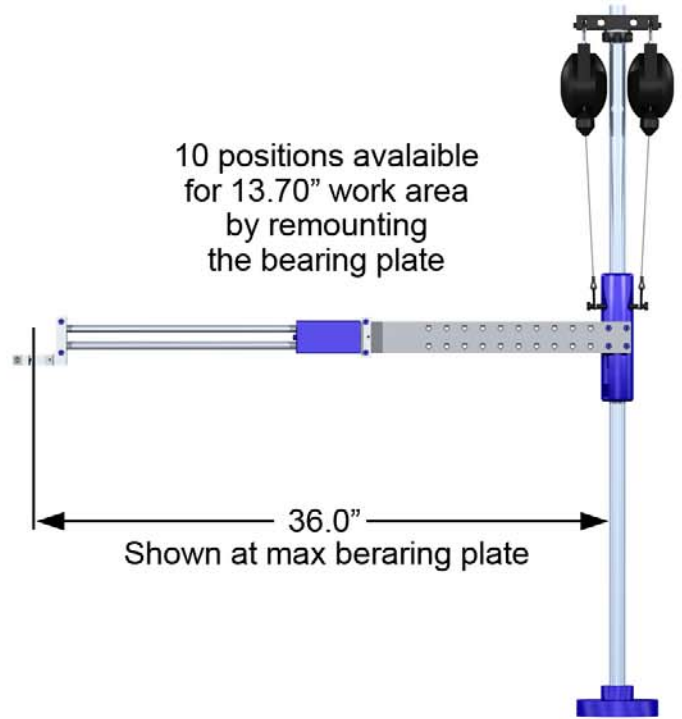
CARLSON
ENGINEERING & MANUFACTURING

425 West Allen, Suite 109 | San Dimas, CA 91773
909.599.8087 | 909.592.0703 fax
www.carlsoneng.com

CARLSON NLL TOOLSTAND



Top View



Side View

NLL SERIES TOOL STAND KEY FEATURES

Safety

- Two 5 lbs spring balancers hold the tool up, so that the tool does not drop.

Durable & Ergonomic

- The NLL Series tool stand is a linear-linear design stand which moves perpendicular to the work surface.
- Unlike others stands, the NLL Series tool stand moves straight down when the operator pushes down. Some stands have arms that arc on their way down, which makes it harder to target a self advancing style stand.

Low Inertia

- The NLL tool stand is a low inertia tool stand.
- The NLL arm weighs less than 10 lbs, making it easy to maneuver, especially stop once the arm is moving.
- Some tool stands have balancing arms which can weigh up to 50 lbs. The momentum generated by moving a 50 lbs arm is hard to stop and difficult to control.

