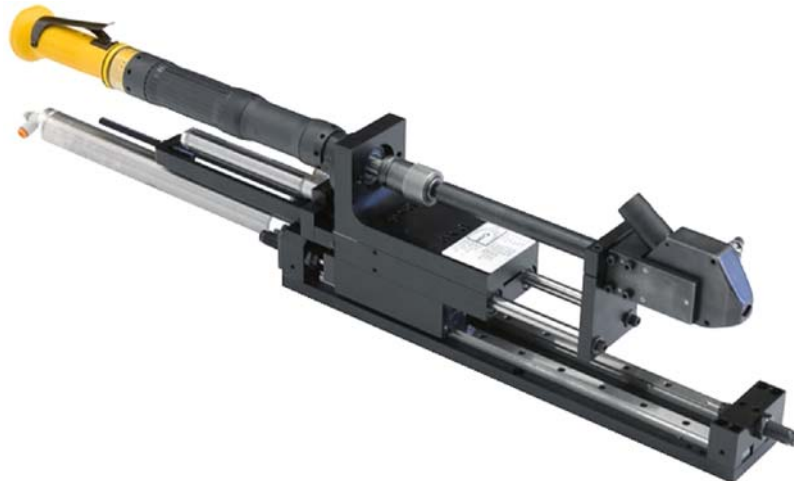


TWINSLIM



The Carlson Engineering TwinSlim is a larger version of the popular SlimDrive autofeed head. The TwinSlim is a self-advancing powered screwdriver for use in automatic screwdriving applications. The TwinSlim can install screws in any position, including upside down. The modular design makes it possible to optimize the unit to meet different assembly requirements.

The TwinSlim can be fixed on a tool stand, placed on a automatic machine or mounted on a robot.

The TwinSlim can be fitted with almost any brand of screwdriver on the market today.

KEY FEATURES

- Narrow design - slim design (*3" wide*) of the TwinSlim, allows close center to center mounting of multiple units.
- Cylinder speed controls and limit switches are included as standard equipment.
- Depth and torque control.
- 30 nm torque capacity.
- Shock absorbers at all ends of travel points.
- Up to 150 pounds of downward force that can be applied to screw.
- Easy Stroke Adjustment.
- Stroke length from 4" to 10" standard.
- Light weight - 12.5 pounds (*without screwdriver tool*).
- No routine maintenance required.
- Great for self drilling screw and applications requiring high thrust.
- No part contact - the jaws can be positioned to stop just above the part surface, thus avoiding the possibility of marring painted and finished surfaces.
- Easy bit replacement.

KEY LIMITATIONS

- Jaw and bit stroke are not independent.
- 1.5" screw head diameter limitation.

TWINSLIM DIMENSIONS

