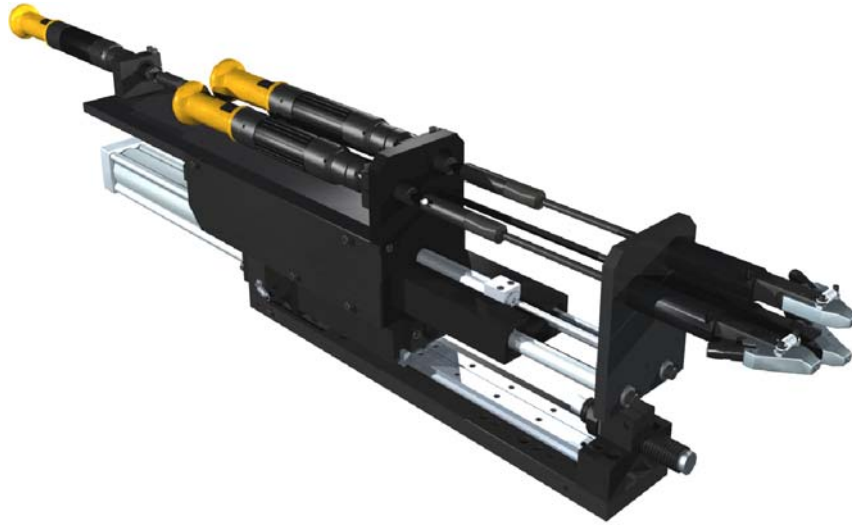


MIDDRIVE



The Carlson Engineering MidDrive is a larger version of the TwinSlim autofeed head. The MidDrive autofeed drive head is a self-advancing powered screwdriver for use in automatic screwdriving applications. The MidDrive can install screws in any position, including upside down. The modular design makes it possible to optimize the unit to meet different assembly requirements.

The MidDrive can be fixed on a tool stand, placed on a automatic machine or mounted on a robot.

The MidDrive can be fitted with almost any brand of screwdriver on the market today.

KEY FEATURES

- The MidDrive is 4" wide.
- Cylinder speed controls and limit switches are included as standard equipment.
- Depth and torque control.
- 100 nm torque capacity.
- Shock absorbers at all ends of travel points.
- Up to 300 pounds of downward force that can be applied to screw.
- Can be tooled with up to 6 spindles.
- Easy Stroke Adjustment.
- Stroke length is 10" standard.
- The MidDrive weighs 50 pounds (*without screwdriver tool*).
- Heavy duty wide liner guide bearing for long life.
- No routine maintenance required.
- Great for self drilling screw and applications requiring high thrust.

- No part contact - the jaws can be positioned to stop just above the part surface, thus avoiding the possibility of marring painted and finished surfaces.
- 2.5" screw head diameter.
- Easy bit replacement.

MIDDRIVE DIMENSIONS

